

Designation	EMT6144GK
Nominal Voltage/Frequency	220-240 V 50 Hz
Engineering Number	912EA67

A - APPLICATION / LIMIT WORKING CONDITIONS

1 Type	Hermetic reciprocating compressor		
2 Refrigerant	R-404A		
3 Nominal voltage and frequency	220-240 / 50	[V / Hz]	
4 Application type	Medium Back Pressure (Commercial Compressors)		
4.1 Evaporating temperature range	-20°C to 10°C	(-4°F to 50°F)	
5 Motor type	CSIR		
6 Starting torque	HST - High starting torque		
7 Expansion device	Capillary tube or Expansion valve		
8 Compressor cooling	Operating voltage range		
		50 Hz	60 Hz
8.1 LBP (32°C Ambient temperature)	-	-	-
8.2 LBP (43°C Ambient temperature)	-	-	-
8.3 HBP (32°C Ambient temperature)	-	-	-
8.4 HBP (43°C Ambient temperature)	-	-	-
9 Maximum condensing pressures/temperature			
9.1 Operating (gauge)	25.7	[kgf/cm ²] (365 psig)	/ °C - °F
9.2 Peak (gauge)	28.7	[kgf/cm ²] (408 psig)	/ °C - °F
10 Maximum winding temperature	130	[°C]	

B - MECHANICAL DATA

1 Commercial designation	1/4-	[hp]
2 Displacement	3.97	[cm ³] (0.242 cu.in)
2.1 Bore [mm]	19.000	
2.2 Stroke [mm]	14.000	
3 Lubricant charge	180	[ml] (6.09 fl.oz.)
3.1 Lubricants approved		
3.2 Lubricants type/viscosity	ESTER / ISO22	
4 Weight (with oil charge)	7.8	[kg] (17.20 lb.)
5 Nitrogen charge	-	[kgf/cm ²]

C - ELECTRICAL DATA

1 Nominal Voltage/Frequency/Number of Phases	220-240 V 50 Hz 1 ~ (Single phase)	
2 Starting device type	Current Relay	
2.1 Starting device	MTRP-0015	
3 Start capacitor	43-53(330)	[µf(VAC minimum)]
4 Run capacitor	-	[µf(VAC minimum)]
5 Motor protection	T0043/G6	
6 Start winding resistance	[Wat 25°C (77°F)] +/- 8%	
7 Run winding resistance	[Wat 25°C (77°F)] +/- 8%	
8 LRA - Locked rotor amperage (50 Hz)	7.70	[A] - Measured according to UL 984
9 FLA - Full load amperage L/MBP (50 Hz)	-	[A]
10 FLA - Full Load Amperage HBP (50 Hz)	-	[A]
11 Approval boards certification	IMQ	

D - PERFORMANCE - CHECK POINT DATA

TEST CONDITIONS: @220V50Hz			ASHRAEHBP46 Fan		Evaporating temperature (Condensing temperature		7.2°C (44.96°F) 54.4°C (129.92°F)	
Cooling capacity +/- 5%			Power consumption +/- 5%	Current consumption +/- 5%	Gas flow rate +/- 5%	EFFICIENCY RATE +/- 7%		
[Btu/h]	[kcal/h]	[W]	[W]	[A]	[kg/h]	[Btu/Wh]	[kcal/Wh]	[W/W]
2318	584	679	284	1.56	19.08	8.16	2.06	2.39

E - PERFORMANCE - CURVES

TEST CONDITIONS: @220V50Hz			ASHRAE46 Fan		(Condensing temperature 35°C (+95°F))					
Evaporating temperature		Cooling capacity +/- 5%			Power consumption +/- 5%	Current consumption +/- 5%	Gas flow rate +/- 5%	EFFICIENCY RATE +/- 7%		
°C	(°F)	[Btu/h]	[kcal/h]	[W]	[W]	[A]	[kg/h]	[Btu/Wh]	[kcal/Wh]	[W/W]
-20	(- 4)	1115	281	327	156	1.05	7.07	7.14	1.80	2.09
-15	(+ 5)	1380	348	404	168	1.09	8.82	8.22	2.07	2.41
-10	(+14)	1690	426	495	179	1.13	10.86	9.41	2.37	2.76
-5	(+23)	2047	516	600	191	1.17	13.25	10.72	2.70	3.14
0	(+32)	2454	618	719	202	1.21	16.01	12.15	3.06	3.56
+5	(+41)	2913	734	854	213	1.25	19.21	13.70	3.45	4.02
+10	(+50)	3427	864	1004	223	1.29	22.87	15.39	3.88	4.51

TEST CONDITIONS: @220V50Hz			ASHRAE46 Fan		(Condensing temperature 45°C (+113°F))					
Evaporating temperature		Cooling capacity +/- 5%			Power consumption +/- 5%	Current consumption +/- 5%	Gas flow rate +/- 5%	EFFICIENCY RATE +/- 7%		
°C	(°F)	[Btu/h]	[kcal/h]	[W]	[W]	[A]	[kg/h]	[Btu/Wh]	[kcal/Wh]	[W/W]
-20	(- 4)	949	239	278	168	1.08	6.65	5.66	1.43	1.66
-15	(+ 5)	1181	298	346	184	1.14	8.33	6.43	1.62	1.88
-10	(+14)	1454	366	426	199	1.20	10.32	7.29	1.84	2.14
-5	(+23)	1770	446	519	215	1.25	12.66	8.24	2.08	2.42
0	(+32)	2132	537	625	229	1.31	15.40	9.30	2.34	2.72
+5	(+41)	2541	640	745	243	1.36	18.57	10.46	2.64	3.06
+10	(+50)	3001	756	879	256	1.42	22.23	11.73	2.96	3.44

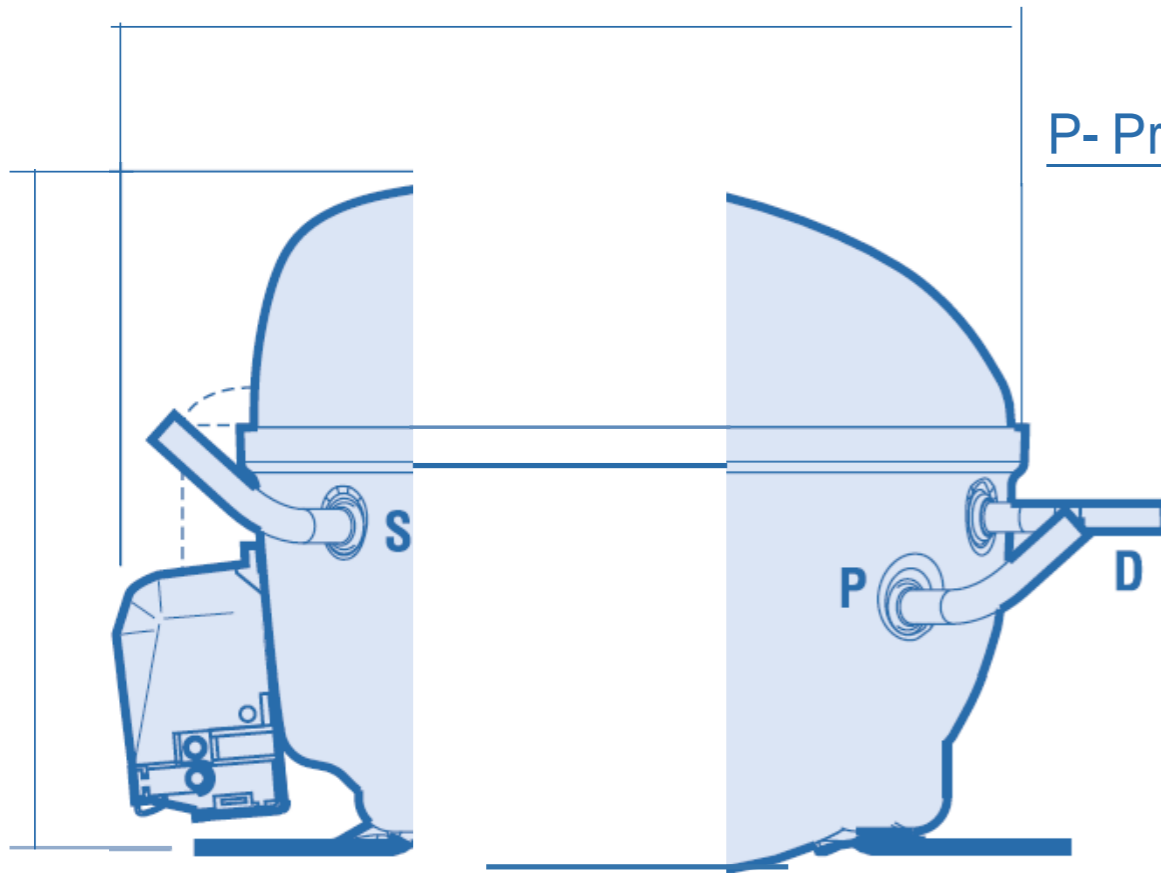
TEST CONDITIONS: @220V50Hz			ASHRAE46 Fan		(Condensing temperature 55°C (+131°F))					
Evaporating temperature		Cooling capacity +/- 5%			Power consumption +/- 5%	Current consumption +/- 5%	Gas flow rate +/- 5%	EFFICIENCY RATE +/- 7%		
°C	(°F)	[Btu/h]	[kcal/h]	[W]	[W]	[A]	[kg/h]	[Btu/Wh]	[kcal/Wh]	[W/W]
-20	(- 4)	780	197	228	175	1.11	6.13	4.45	1.12	1.30
-15	(+ 5)	975	246	286	196	1.19	7.72	4.97	1.25	1.46
-10	(+14)	1207	304	354	217	1.26	9.63	5.56	1.40	1.63
-5	(+23)	1478	372	433	237	1.34	11.90	6.23	1.57	1.83
0	(+32)	1790	451	524	257	1.42	14.57	6.98	1.76	2.05
+5	(+41)	2145	541	629	275	1.50	17.69	7.81	1.97	2.29
+10	(+50)	2547	642	746	291	1.58	21.31	8.73	2.20	2.56

F - EXTERNAL CHARACTERISTICS

1 Base plate	European Standard		
2 Tray holder	Yes		
3 Connectors			
3.1 SUCTION	6.1 +0.10/+0.00	[mm]	(0.240" +0.004"/+0.000")
3.1.1 Material	Copper		
3.1.2 Shape	Slanted 42°		
3.2 DISCHARGE	4.94 +0.08/-0.08	[mm]	(0.194" +0.003"/-0.003")
3.2.1 Material	Copper		
3.2.2 Shape	Straight		
3.3 PROCESS	6.1 +0.10/+0.00	[mm]	(0.240" +0.004"/+0.000")
3.3.1 Material	Copper		
3.3.2 Shape	Slanted 42°		
3.4 Oil cooler (Copper)	No	[mm]	
3.5 Connector sealing	Rubber Plugs		

DWG 01 EM SERIES European Base Plate

228 mm - 8.98¹¹

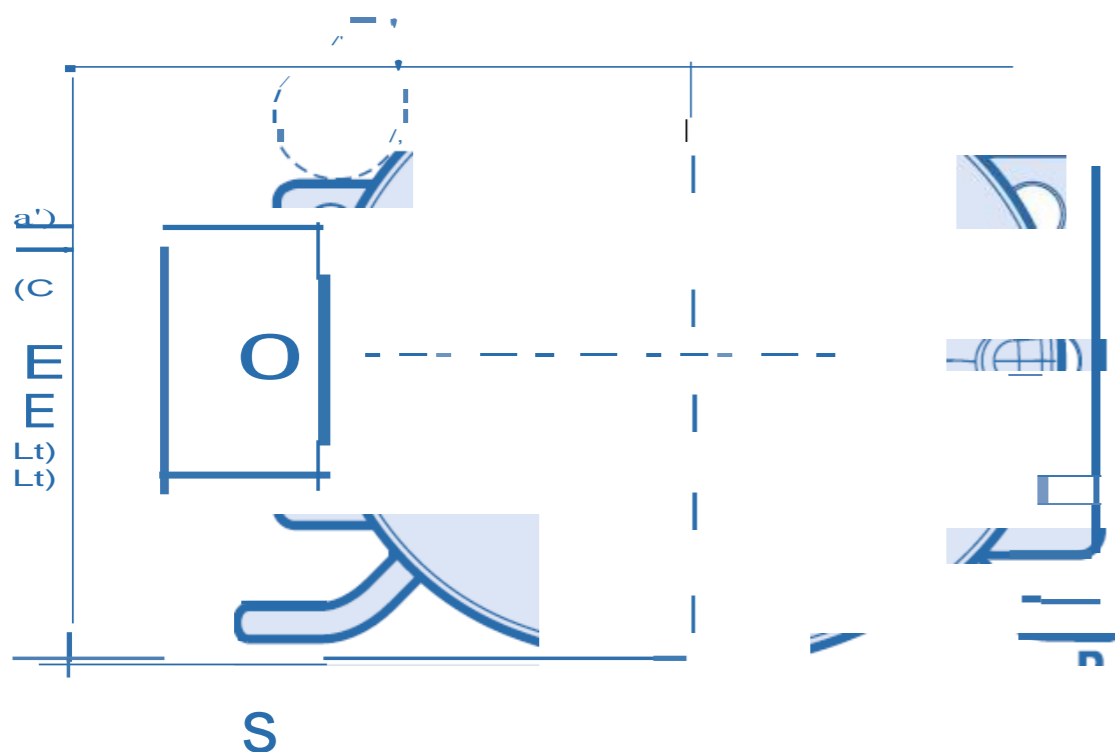


P- Process

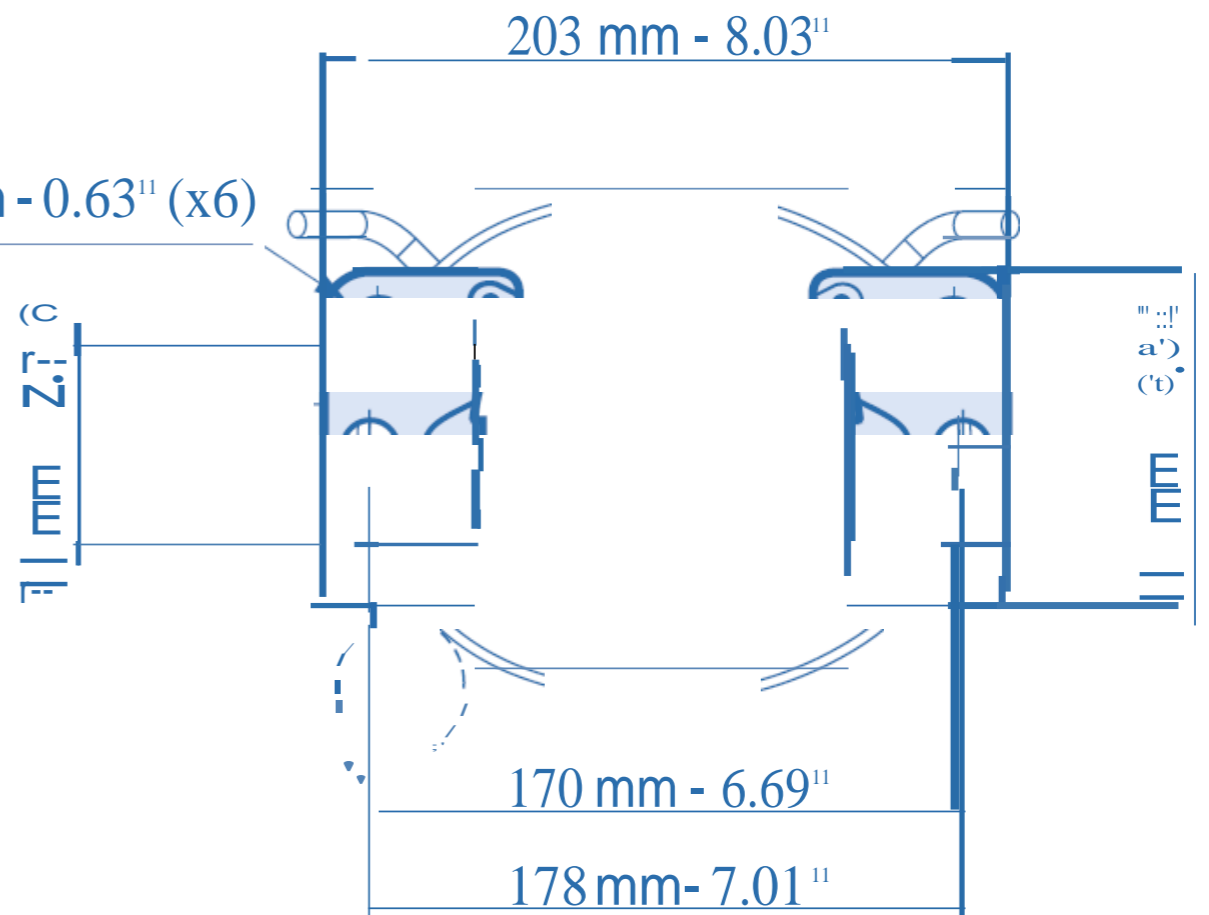
S -Suction

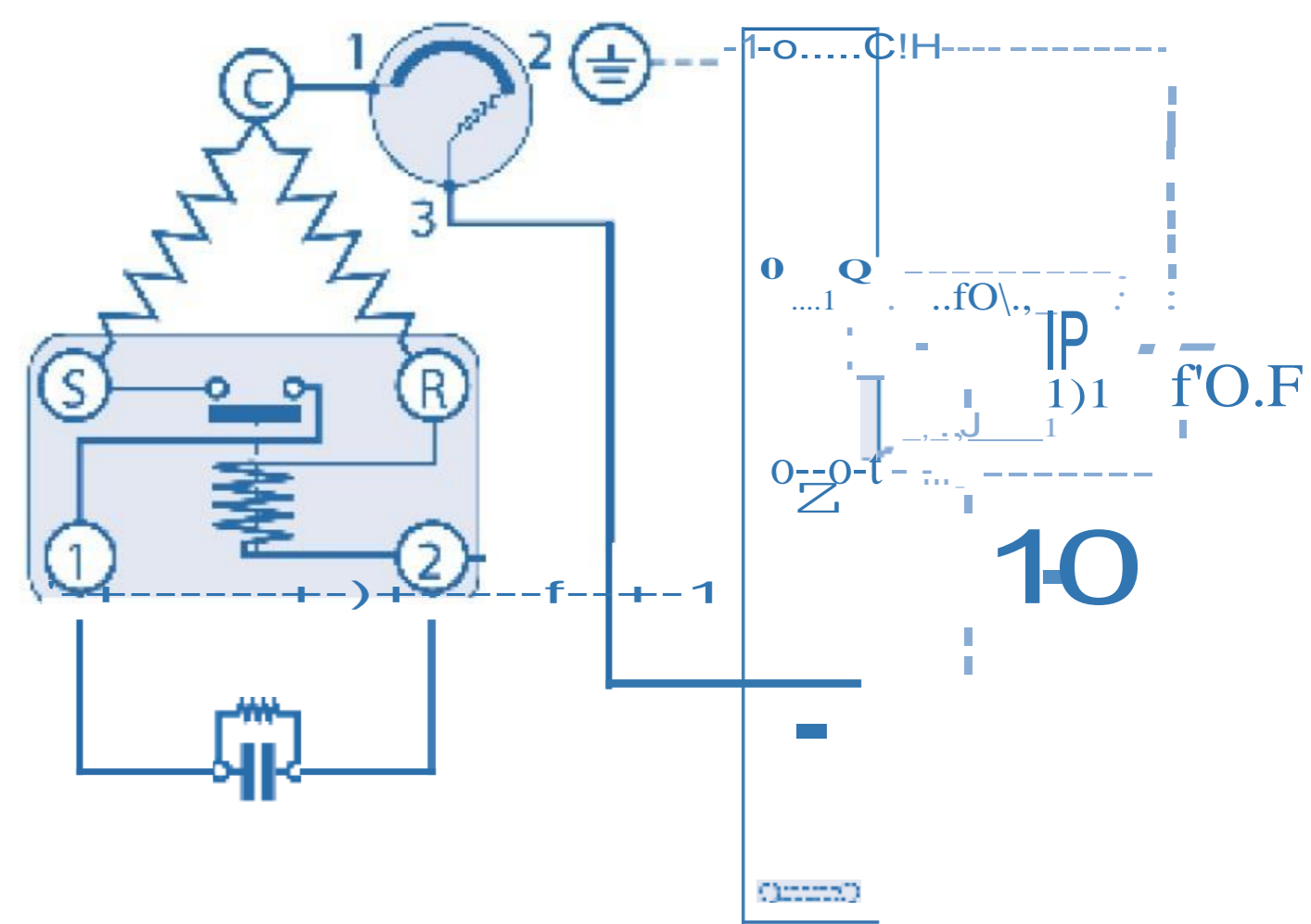
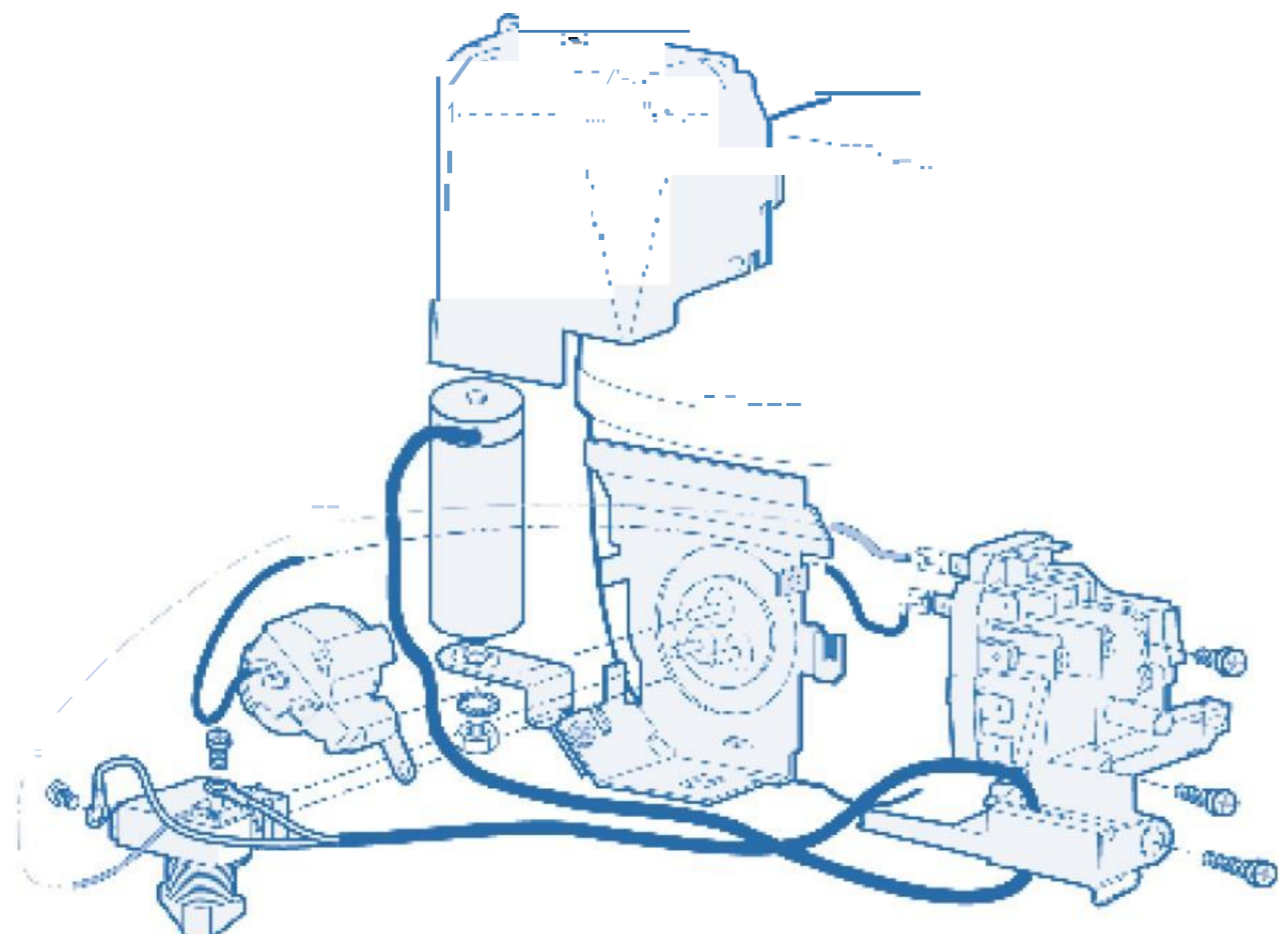
D - Discharge

	0mm	0in	material
S -Suction	6.10- 6.20	0.24	Cu
P- Process	6.10- 6.20	0.24	Cu
D - Discharge	4.98- 5.02	3/16	Cu



0.16mm - 0.63¹¹ (x6)





10