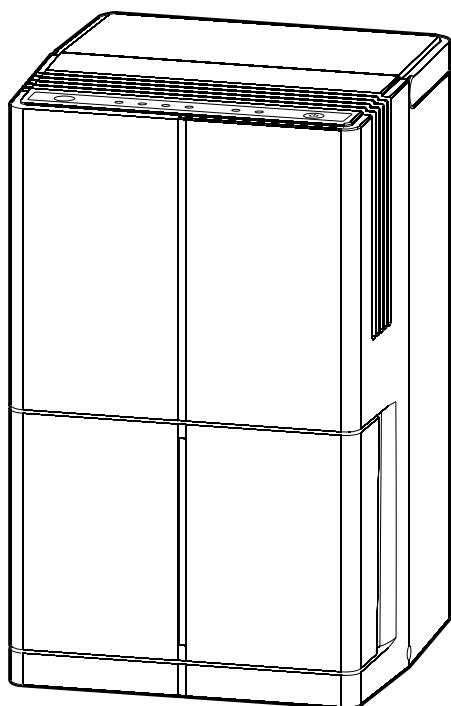


TÖYŌTŌMI



TD-C100

**COMPRESSOR TYPE DEHUMIDIFIER
DÉSHUMIDIFICATEUR D'AIR
LUFTENTFEUCHTER
LUCHTONTVOCHTIGER**

OPERATING MANUAL

MANUAL D'UTILISATION

BEDIENUNGSANLEITUNG

GEBRUIKSAANWIJZING ENGELS

ENGLISH

FRANÇAIS

DEUTSCH

NEDERLANDS

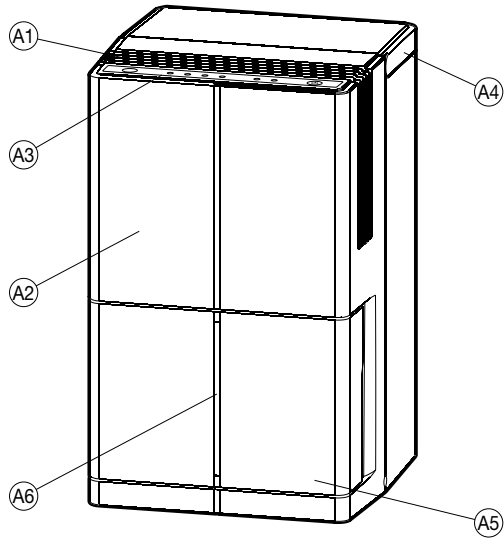
P. 1

P. 5

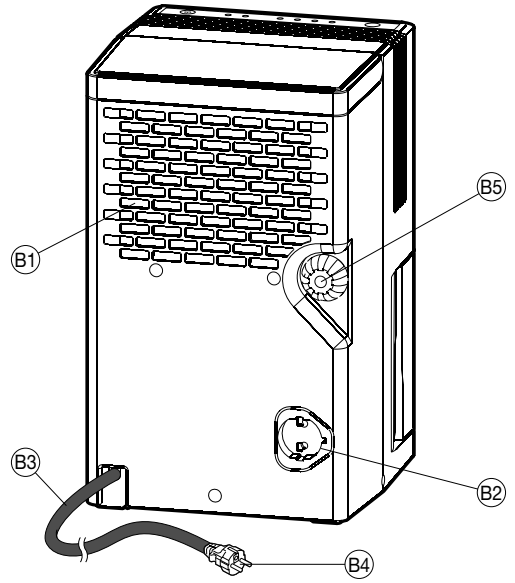
P. 9

P.13

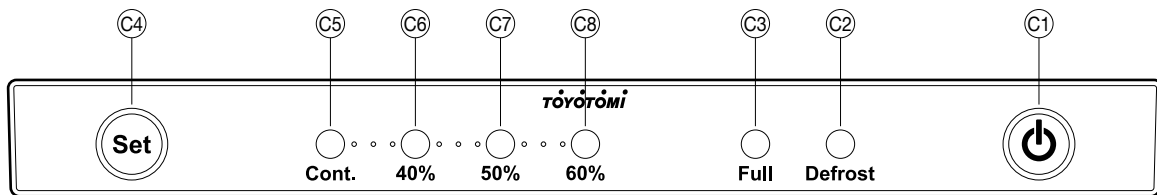
(A)



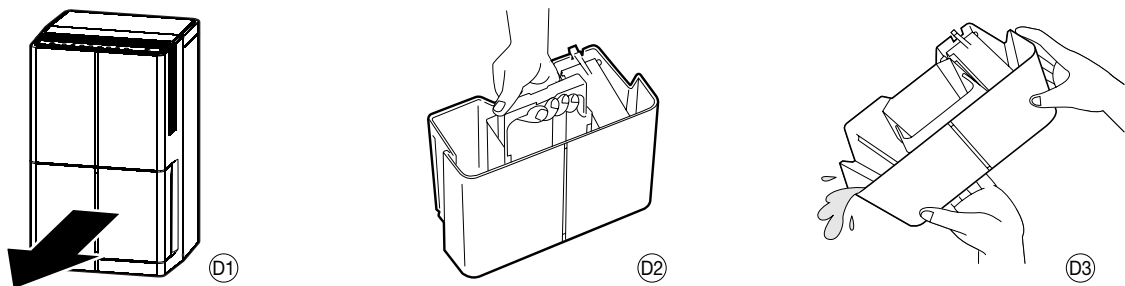
(B)



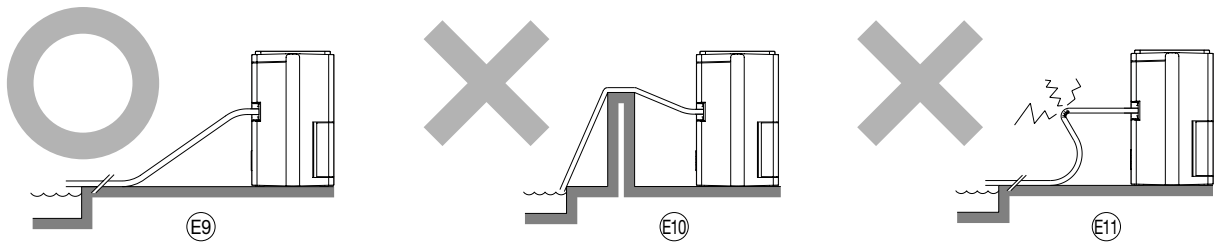
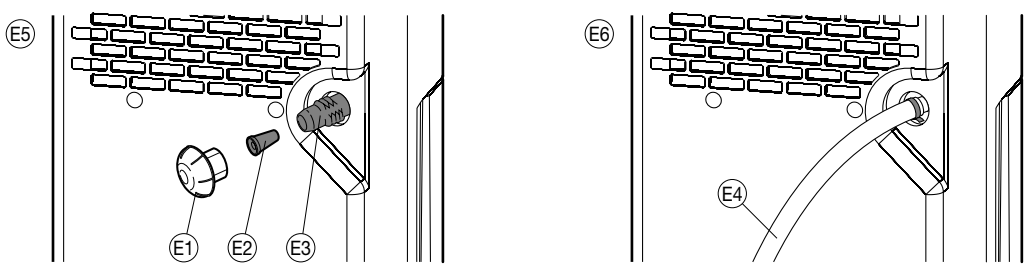
(C)



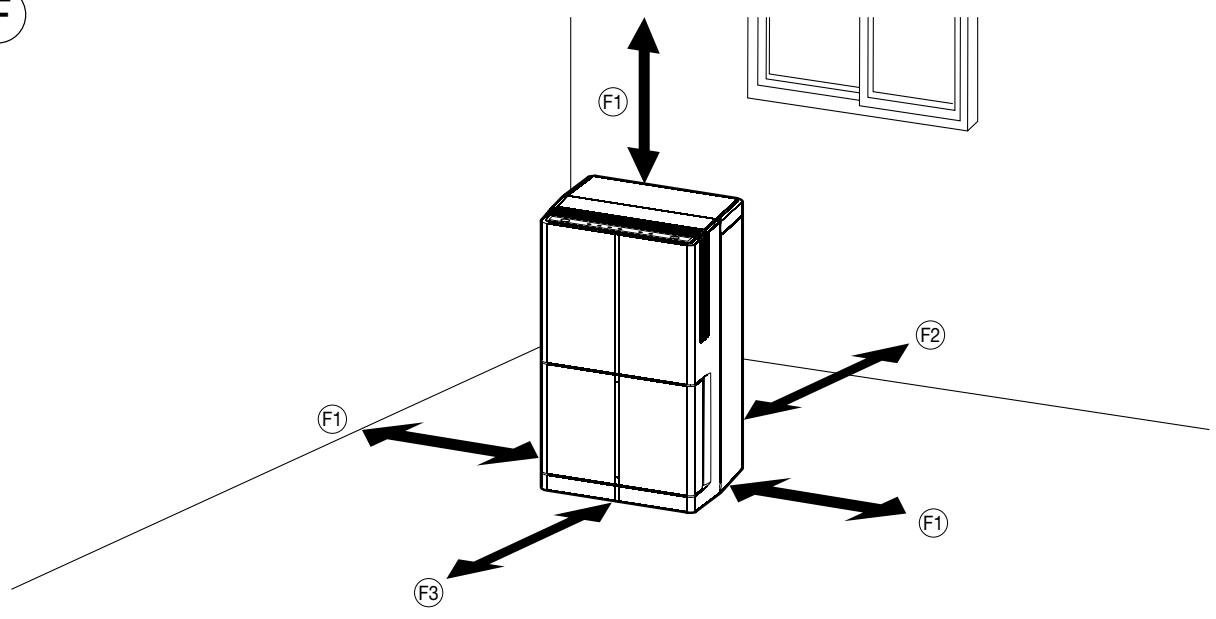
(D)



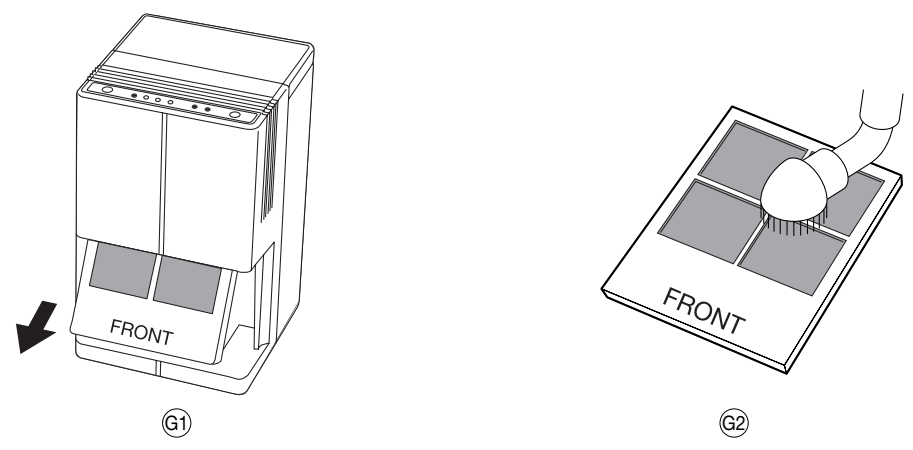
E



F



G



SUMMARY

The idea behind the unit is a localized dehumidification. The unit will greatly enhance your personal comfort whether at a work of office, bathroom or even in your favorite closet.

It dries the air so that you can stay comfortable even when it's humid or rainy outside. Also your furnishings, fabrics and clothes are kept in good condition, and it is easy to dry your laundry and dry it quickly.

This unit creates dry air zone anywhere you need it. It means that it does not waste energy drying the surroundings.

It's easy to operate. Once you set your desired level of relative humidity from 60% to 40%, the built-in humidistat allows the room humidity to be controlled automatically.

By connecting the commercially available hose to the unit, you can use it as continuous drainage mode. This is especially convenient for using in the outside such as garage.

OPERATIONAL FEATURES

1. DEHUMIDIFYING OPERATION:

This unit takes in the humidity and dry air is directed out from the rear outlet by the compressor.

2. AUTOMATIC OPERATION:

Once the desired function has been set, it is memorized as long as it remains connected to the wall outlet. In the event of a power failure, the desired function must be re-entered when power is restored.

3. HUMIDITY CONTROL:

The compressor will automatically shift to ON or OFF to maintain the desired humidity.

4. AUTOMATIC SHUT-OFF MECHANISM WHEN THE DRAIN TANK IS FULL:

When the drain tank is full, the unit will be automatically shut off. The "FULL" lamp will blink. It will resume operation after the condensed water is removed from the tank.

5. AIR FILTER:

A pre-filter protects the unit from dust.

6. INTERNAL DRYING OPERATION:

After turning off the operation, fan spins for 30 minutes to dry the inside of the unit. Moisture which is put inside of the unit can be dried and it prevents the heat exchanger from causing mold.

To stop the internal drying operation, press the Power button more than 3 seconds during the internal drying operation.

1. DESCRIPTION

Fig. A FRONT

A1	Air intake
A2	Front panel
A3	Operation panel
A4	Carrying handle
A5	Water tank
A6	Water gauge

Fig. B REAR

B1	Air outlet
B2	Power plug storage part (To prevent the plug deformation)
B3	Power supply cord
B4	Power plug
B5	Drain water outlet for continuous drain operation

Fig. C OPERATION PANEL

C1	Power button
C2	Defrost lamp
C3	Full lamp (When the tank filled up with water, the lamp will light)
C4	Humidity setting button
C5	Cont. lamp (Continue lamp)

C6 40% humidity setting lamp

C7 50% humidity setting lamp

C8 60% humidity setting lamp

Fig. E CONTINUOUS DRAINAGE

E1 Outlet cap

E2 Rubber stopper

E3 Drain water outlet

E4 Drainage hose

2. SAFETY TIPS

IMPORTANT

- Read instructions carefully before operation.
- The unit should be operated when the room temperature is between 5°C to 32°C. If the room temperature is below 5°C, ice may form on the coils. If the room temperature is above 32°C, the compressor will automatically shut off to protect itself.
- ALWAYS, wait 3 min. to restart after turning unit off.

▲ WARNING

- NEVER expose infants, handicapped persons, or senior persons directly to the airflow. Adjust the airflow direction.
- Keep children away from unit. Children are particularly liable to this danger. The inside fan is running at high speed. Covering them may deteriorate dehumidifier performance or cause it to become inoperative.
- NEVER insert objects of any kind into the air intake or air outlet.
- DO NOT unplug or plug in if your hands are wet. An electrical shock may occur.
- DO NOT operate in a wet location.
- ALWAYS plug into 220V-240V, 50Hz, single phase electrical outlet.
- Be sure the power plug fits the receptacle securely.
- DO NOT run power cord under carpets, rugs, or floor mats of any kind.
- DO NOT attempt to shorten or alter power cord in any way.
- DO NOT apply any excessive force or pressure to the power supply cord.
- Make sure that the plug is free of dust.
- DO NOT use an extension cord.
- DO NOT use multiple power points.
- DO NOT turn on and off by inserting or removing the power plug, which may cause electric shock or fire.
- If there is a fear of lightning, stop the unit and disconnect the power supply cord.
- DO NOT touch the evaporator, condenser and pipes.
- DO NOT operate with filter removed.
- If the power cord on this unit is damaged, it must be replaced by the manufacture, its service agent or qualified persons in order to avoid a hazard.
- This appliance can be used by children aged from 8 years and above and persons with reduced physical, sensory or mental capabilities or lack of experience and knowledge if they have been given supervision or instruction concerning use of the appliance in a safe way and understand the hazards involved.
- Children shall not play with the appliance.
- Cleaning and user maintenance shall not be made by children without supervision.
- The appliance shall not be installed in the laundry.
- The appliance shall be installed in accordance with national wiring regulations.

▲ CAUTION

- Keep unit more than 20 cm away on the rear side (F2), 10cm away on the upper and both side (F1), and 15 cm away on the front side (F3) from any objects or wall. (Fig. F)
- Remove drain water before moving unit.
- To minimize corrosion, DO NOT use in damp, salty air area.
- DO NOT operate in direct sunlight.
- DO NOT use for such particular purpose as preservation of foodstuff, animals, plants, precision appliances, arts and medicine.
- DO NOT place an animal, plants or combustion equipment in a place which is subjected to the direct air flow of the unit.
- DO NOT ride or place the objects on the unit.
- DO NOT turn the product on its side or upside down.
- DO NOT remove the rubber cap cover of water drainage outlet except in continuous drainage mode to avoid water leakage.



- Waste electrical products should not be disposed with household waste.
- Please recycle where facilities exist. Check with your local authority or retailer for recycling advice.

3. OPERATION**OPERATING STEPS:****1. CONNECT POWER PLUG (B4) TO POWER SOCKET.**

Make sure the water tank (A5) is placed in proper position, and then connect to the power socket.

If the tank is not in proper position, the FULL lamp (C3) will light after plug on. If FULL lamp lights at the first time, please pull out the tank once and push it back to the proper position.

2. PRESS POWER BUTTON (C1) TO ON.**3. PRESS HUMIDITY SETTING BUTTON (C4)**

Press the humidity setting button (C4) to select your desired humidity mode.

By pressing the humidity setting button, indication lamp will shift to; "CONTINUE" (C5) → "60%" (C8) → "50%" (C7) → "40%" (C6) → CONTINUE" (C5) and your desired humidity mode can be selected.

4. STOP OPERATION

Press the "POWER" button (C1) and all lights will go out.

For the internal drying operation, the unit will stop operation after the 30 minutes of fan operation.

During the internal drying operation, the humidity setting lamp of 40%, 50% and 60% will continue lighting one by one.

To stop the internal drying operation, press the Power button more than 3 seconds during the internal drying operation.

4. EMPTY THE WATER TANK (Fig.D)**1. Stop the operation.**

NOTE: When the water tank is full, the Full lamp (C3) will blink and unit stops automatically in a few minutes.

2. Remove the water tank. (Fig D1)

NOTE: Do not move the unit or remove the water tank, if the machine is still operating, as water may leak, damage the unit or cause an electric shock.

Do not remove or damage the float in the water tank, or the unit cannot work correctly.

3. Carry the water tank with handle. (Fig.D2)**4. Pour water away. (Fig. D3)****5. Restore the water tank to the correct position.**

NOTE: If the water tank is not well in the position, the Full lamp (C3) will blink.

5. CONTINUOUS DRAINAGE WATER (Fig. E)

1. Prepare a hose that is inner diameter of 13mm or 15mm, and take out the outlet cap (E1).
2. Remove the rubber stopper (E2) inside the outlet cap (E1). Then you can see the hole. (Fig. E5)
3. Put the hose (E4) into the drain water outlet (E3). (Fig. E6)

NOTE:

- In case of using the hose of inner diameter of 15mm, insert the hose to the drain water outlet all the end. (E7)
- In case of using the hose of inner diameter of 13mm, put the hose into the tip of drain water outlet (E8)
- During the continuous drainage mode, the drain hose must be horizontally or below the drainage hole (E9), and try not to raise the hose above the drainage hole (E10) or fold the hose (E11).

6. CLEANING**CLEANING AIR INTAKE FILTER (Fig. G)**

1. Clean the air intake once every two weeks.
2. To remove the air intake filter, pull the water tank out of the unit and draw out the air filter. (Fig. G1)
3. Remove the dust with a vacuum cleaner (Fig. G2), or wash the dust away with water. If you wash it with water, dry it in the shade after washing it.

▲ WARNING

- DO NOT touch the evaporator. It may cause injury or damage.

▲ CAUTION

- DO NOT use over 40°C hot water. The plastic part may be deformed.
- Disconnect the power supply before cleaning and maintenance.

CLEANING SURFACE

Clean the outside of the product with a soft damp cloth.

▲ CAUTION

- NEVER use gasoline, solvents, chemical, products or polish as they could damage the surface.

7. LONG-TERM STORAGE

At the end of each season, or when you do not plan to use this product for an extended period of time, the following procedures are recommended.

1. Empty the water tank.
After stopping operation, leave it for one day and empty the water tank.
2. Take off the outlet cap (E1) and rubber stopper (E2) which is for continuous drainage.
When you take the rubber stopper (E2) off, the drain water will come out. Therefore receive the water with a bucket or a tank.
3. Clean the unit, tank and filter.
Wipe off any dirt or dust on the unit with a soft damp cloth or a vacuum cleaner, and then wipe again using a soft dry cloth.
4. Store the unit.
The original shipping carton is the best place to store your unit. If you do not have the original packing materials, cover the unit with a large plastic bag and store in a cool dry place.

▲ CAUTION:

- ALWAYS store the unit at less humidity and airy place with standing vertically.
- DO NOT put heavy objects on top of the unit.

8. TRANSPORTATION

Preferably keep the unit in the vertical position during transportation. If it is necessary to place the unit in a horizontal position more than 1/2 hour, ALLOW IT TO REMAIN UPRIGHT FOR 24 HOURS BEFORE OPERATION. Failure to do so may result in damage to the compressor. Before transporting / moving the unit make sure the drain tank is empty.

9. TROUBLESHOOTING

SYMPTOM	CAUSE	SOLUTION
Unit does not work.	<ul style="list-style-type: none"> - Power cut. - The plug has been plugged improperly. - The FULL LAMP is ON. Tank is full. - The DEFROST LAMP is ON. 	<ul style="list-style-type: none"> - Wait for power to be supplied again. - Plug in again. - Remove the drain water from the drain tank. - When the room temperature is under 12°C, the heat exchanger is sometimes frosted. And the unit starts defrosting mode automatically. During this mode, DEFROST LAMP is ON, and wait for a while.
FULL lamp is ON even the water tank is empty.	<ul style="list-style-type: none"> - The tank is not inserted properly. - The float of tank is not placed properly. 	<ul style="list-style-type: none"> - Take the water tank out once, and push it back to the proper position. - Place the float in the proper position.
The product does not dehumidify.	<ul style="list-style-type: none"> - The filter is dusty or air outlet is clogged. - Surrounding temperature and humidity are low. 	<ul style="list-style-type: none"> - Clean the filter and air outlet. - As the temperature and humidity are lower, the amount of dehumidification is also lower.
Operation sound is loud.	<ul style="list-style-type: none"> - The filter is dusty - The unit operates on the rough place. 	<ul style="list-style-type: none"> - Clean the filter. - Operate at the flat place.
The drain water is leaked.	<ul style="list-style-type: none"> - The unit leans. - Move the unit with water in the tank. - The float is not in the proper position. - Take the water tank out soon after stopping the operation. 	<ul style="list-style-type: none"> - Operate at the flat place. - Remove the water at first, and then you can move the product. - Place the float properly. - The product keeps draining even the unit stops operating. Wait for approx. 5mins.

BEFORE CALLING FOR SERVICE

The following are not defects.

A hissing noise or hollow sound:	⇒ This sound is generated from the refrigerant flowing within pipes.
A squeaking noise:	⇒ This noise is generated from the unit when it is expands or contracts with temperature changes.
Odor:	⇒ Such odor as tobacco, cosmetics, or foods may accumulate in the unit.
The unit does not start nor change operation mode immediately:	⇒ To prevent overloading the compressor motor, the unit will be stopped for more than 3 minutes.

10. SPECIFICATIONS

MODEL	TD-C100
DEHUMIDIFYING CAPACITY	10 L/D (30°C, 80%RH)
POWER SOURCE	Single Phase 220-240V, 50Hz
POWER CONSUMPTION	205 W
OPERATING CURRENT	0.8A
AIR FLOW (MAX.)	45 m³/h
OPERATING TEMP. RANGE	5°C ~ 32°C
DIMENSIONS (WxHxD)	230 x 386 x 230 mm
WEIGHT	8.5kg
COMPRESSOR	ROTARY
REFRIGERANT	R-134A / 110g
FUSE	3.15A/250V (Type: 3N, 3K, 30T)
GWP	1300 (R134a)
WIRING DIAGRAM	

NOTE: Dehumidifying capacity will vary according to temperature and humidity of the room.

CONTAINS FLUORINATED GREENHOUSE GASES COVERED BY THE KYOTO PROTOCOL.

HERMETICALLY SEALED SYSTEM

GWP information (according to (EC) No 842 / 2006

LIMITED WARRANTY

TOYOTOMI CO., LTD. ("TOYOTOMI") warrants each product and any parts thereof sold by it to be free from defects in materials or workmanship under normal use and service for TWENTY FOUR (24) MONTHS from the date of delivery to the original purchaser at retail subject to the following terms and conditions:

WHAT IS COVERED: Product or any parts thereof which are defective in materials or workmanship.

WHAT IS NOT COVERED:

This warranty does not extend to any defect due to the negligence of others; failure to install, operate or maintain unit in accordance with instructions (operating and maintenance instructions are furnished with each new unit); unreasonable use, accidents, alteration, use of unauthorized or non-standardized TOYOTOMI parts and accessories; electrical malfunction, i.e., as resulting from large power surges, short circuit, etc.; incorrect installation; or repair by anyone other than a service facility specified by TOYOTOMI.

WHO IS COVERED: The original purchaser at retail.

WHAT WE WILL DO: TOYOTOMI will either repair or replace, at its opinion, all defective parts free of charge that are covered by this limited warranty on a carry-in basis, to your nearest authorized dealer or distributor of TOYOTOMI.

WHAT YOU MUST DO FOR WARRANTY SERVICE: You must return the defective Product or part to any authorized dealer or distributor of TOYOTOMI with this LIMITED WARRANTY. If service is not available locally, please contact our CUSTOMER RELATIONS DEPARTMENT at:

TOYOTOMI EUROPE SALES B.V.

E-MAIL: info@toyotomi.eu

INTERNET: www.toyotomi.eu

THE FOREGOING EXPRESS ALL OF TOYOTOMI'S OBLIGATIONS AND LIABILITIES WITH RESPECT TO THE QUALITY OF PRODUCT FURNISHED BY IT. ALL OTHER WARRANTIES, EXPRESSED OR IMPLIED, INCLUDING THE WARRANTIES OF MERCHANTABILITY OR FITNESS FOR A PARTICULAR PURPOSE ARE DISCLAIMED. TOYOTOMI SHALL NOT BE LIABLE FOR THE LOSS OF USE OF THE PRODUCT, INCONVENIENCE, LOSS OR ANY OTHER DAMAGES, DIRECT OR CONSEQUENTIAL ARISING OUT OF, THE USE OF, OR INABILITY TO USE, THE PRODUCT OR DAMAGES RESULTING FROM OR ATTRIBUTABLE TO DEFECTS IN THE PRODUCT.

No other than TOYOTOMI has authority to extend or modify the terms of this Limited Warranty in any manner whatsoever.

Some states do not allow the exclusion or limitation of incidental or consequential damages or limitations on how long an implied warranty lasts, so these limitations or exclusions may not apply to you. This Limited Warranty gives you specific legal rights and you may also have other rights which vary from state to state.

TOYOTOMI CO., LTD.

5-17, Momozono-cho, Mizuho-ku,
Nagoya, 467-0855 Japan

www.toyotomi.jp