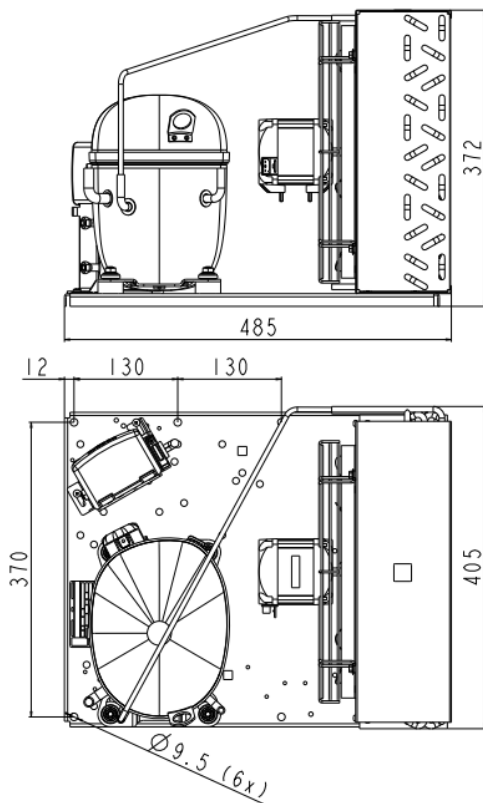


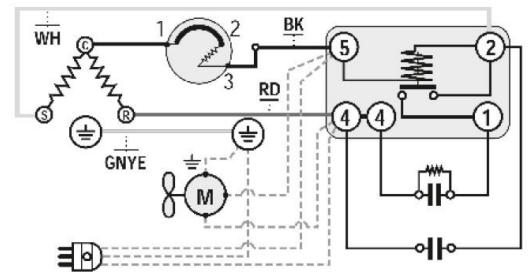
GENERAL DATA

Application:	M/HBP
Refrigerant:	R404A
Expansion Device:	C-V
Weight:	32 kg
Receiver:	0 liter
Voltage/Frequency:	220 - 240 V 50 ~
Height:	32 mm
Length:	485 mm
Width:	405 mm
Institute Approvals:	CE

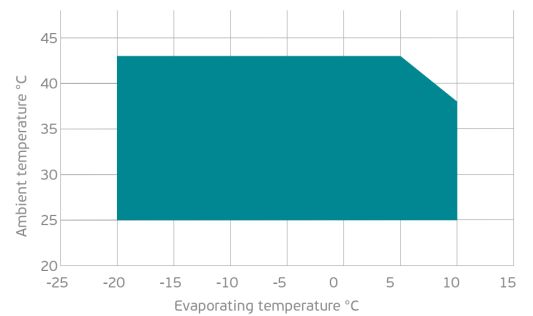
EXTERNAL DIMENSIONS



WIRING DIAGRAM



OPERATING ENVELOPE



COMPONENTS (SPARE PARTS)

condenser:	3R14T	2451221
elkit:	ELKOM NT6226GK	923BA0204A

fankit:	34W 300/28/5B	1996585
compressor:	NT6226GK	923BA02..AC

For additional accessories please contact our technical support

ELECTRICAL DATA

Motor Type: CSR -
Locked Rotor Amperage (LRA): 38 A
Max.Current: 7.27 A

At maximum evaporating temperature and maximum ambient temperature.

FAN MOTOR

Number: 1 -
Shaft Power: 34 W
Air Flow: 700 m³/h
Blade Diameter: 300 mm

PERFORMANCE CURVE DATA

Standard: EN13215-RG20 / return gas 20°C, subcooling 3K

50 Hz

	Evaporating Temperature (°C)	Cooling Capacity (W)	Power Consumption (W)	Current Consumption (A)	Efficiency (W/W)
25 °C Ambient Temperature	10°C	3 327	1 545	7.48	2.15
	5°C	2 975	1 412	6.85	2.11
	0°C	2 627	1 289	6.28	2.04
	-5°C	2 285	1 176	5.77	1.94
	Rated point -10°C	1 951	1 073	5.31	1.82
	-15°C	1 626	981	4.91	1.66
	-20°C	1 311	898	4.57	1.46
32 °C Ambient Temperature	10°C	3 034	1 593	7.71	1.91
	5°C	2 702	1 456	7.07	1.86
	0°C	2 379	1 329	6.48	1.79
	-5°C	2 066	1 213	5.95	1.70
	Rated point -10°C	1 764	1 107	5.48	1.59
	-15°C	1 476	1 011	5.06	1.46
	-20°C	1 201	925	4.71	1.30
43 °C Ambient Temperature	5°C	2 170	1 621	7.82	1.34
	0°C	1 903	1 474	7.14	1.29
	-5°C	1 652	1 338	6.51	1.24
	Rated point -10°C	1 420	1 212	5.94	1.17
	-15°C	1 206	1 096	5.43	1.10
	-20°C	1 012	990	4.98	1.02